

ToolPRO

PLU: 657776
CODE: T24541SCA
Manufactured and packaged for
SRGS PTY LTD
ABN 23 113 230 050
6 Coulthards Avenue
Strathpine QLD 4500, Australia
MADE IN CHINA

ToolPRO

1 YEAR
WARRANTY



460KG

ENGINE STAND

PLU 657776

WARRANTY

Our product is guaranteed to be free from quality and manufacturing defects for a period of 12 months.

If your product becomes defective during this period, SRGS PTY LTD will offer you either a replacement, credit or refund where a product is faulty; wrongly described; different from the sample shown to you or do not do what they are supposed to do.

This warranty will not cover substantially modified product; misuse or abuse of the product contrary to user instructions or packaging label; change of mind and normal wear and tear.

Our goods come with guarantees that cannot be excluded under the Australian Consumer Law. You are entitled to a replacement or refund for a major failure and for compensation for any other reasonably foreseeable loss or damage. You are also entitled to have the goods repaired or replaced if the goods fail to be of acceptable quality and failure does not amount to a major failure.

To claim the warranty, take the product to the front Service Desk of your nearest store of purchase. You will need to show receipt or other proof of purchase. Additional information may be required to process your claim. Should you not be able to provide proof of purchase with a receipt or bank statement, identification showing name, address and signature may be required to process your claim.

Any expenses relating to the return of your product to the store will normally have to be paid by you. For online store purchases, SRGS PTY LTD will pay for the return freight for any product assessed as having a major failure.

The benefits to the customer given by this warranty are in addition to other rights and remedies of the Australian Consumer Law in relation to the goods or services to which this warranty relates.

This warranty is provided by SRGS PTY LTD, 6 Coulthards Avenue, Strathpine QLD 4500, Australia. Phone: 1300 175 010.

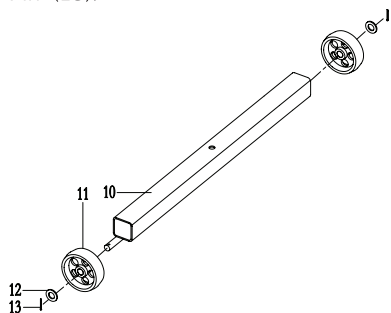
WARNING

1. Do not exceed the maximum capacity of 460kg.
2. Use only on hard level surfaces.
3. Never attempt to move a loaded stand across floors with cracks, debris or obstacles. Only move a loaded engine stand slowly, ensuring the pathway is clear, smooth and level. Sudden movements or uneven surfaces can cause the load to shift suddenly which may result in product failure or damage.
4. Never work directly under a supported engine.
5. Be sure the load is mounted securely to the stand before commencing engine work.
6. Periodically inspect the stand to ensure its safe operation.
7. Failure to follow any of these instructions may result in property damage and/or personal injury.
8. Do not transport an engine while attached to this stand.

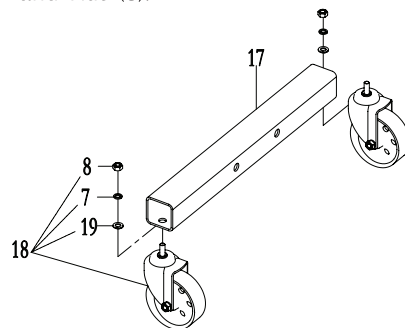
ASSEMBLY

CAUTION: DO NOT TIGHTEN ANY BOLTS COMPLETELY UNTIL YOU ARE FULLY FINISHED WITH ASSEMBLY. OTHERWISE PARTS WILL NOT LINE UP PROPERLY.

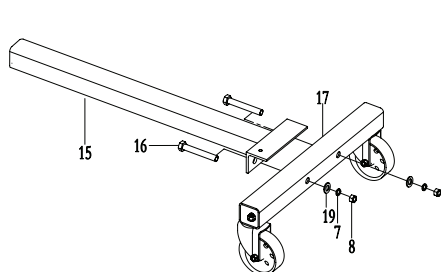
1. Attach Wheel (11) to Rear Support Axle (10) with Washer (12), and Cotter Pin (13).



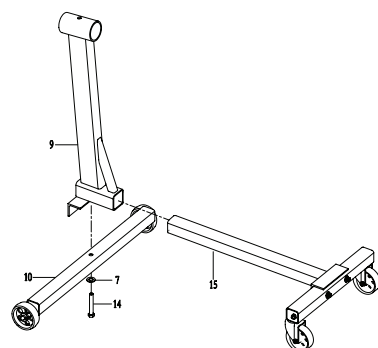
2. Attach Castor Wheel (18) to Front Leg (17) with Washer (19), Spring Washer (7) and Nut (8).



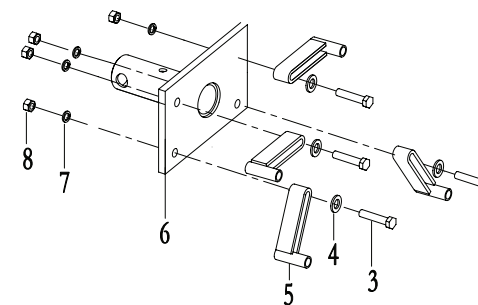
3. Attach Crossbeam (15) to Front Leg (17) with Bolt (16), Washer (19), Spring Washer (7) and Nut (8).



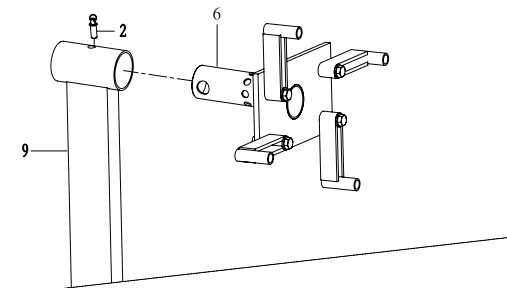
4. Attach Crossbeam (15) to Main Post (9) connecting Rear Support Axle (10) with Bolt (14) and Spring Washer (7).



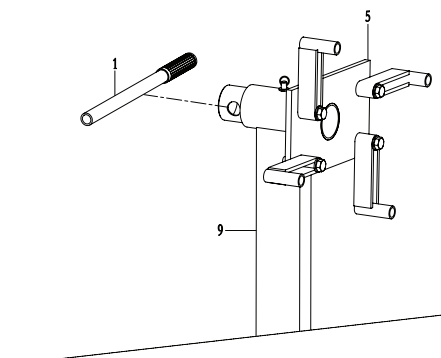
5. Attach Head Assembly (6) to Mounting Arm (5) with Bolt (3), Washer (4), Spring Washer (7) and Nut (8).



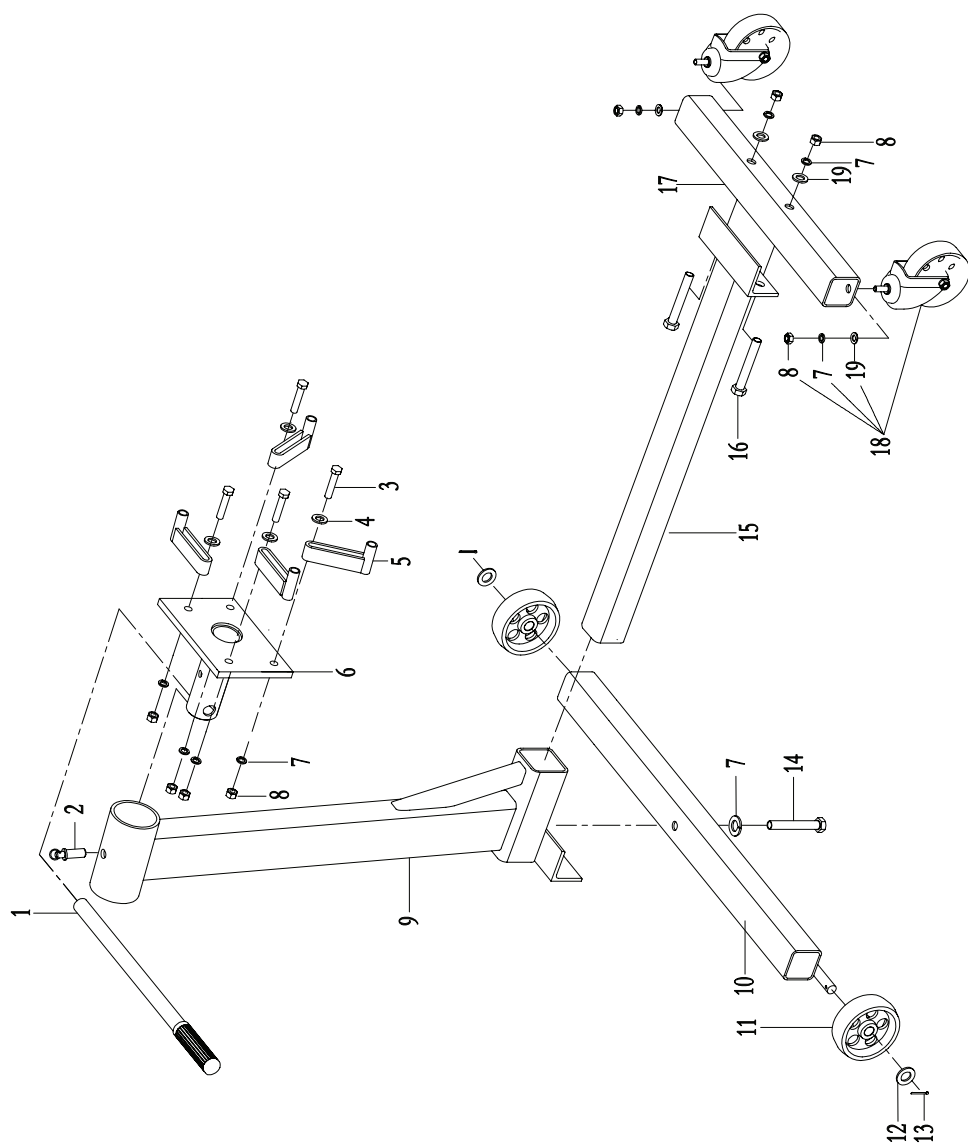
6. Insert Head Assembly (6) into the hole of Main Post (9). Line up the hole in Head Assembly (6) and Main Post (9), and assemble them by inserting the Lock Pin Assembly (2).



7. Insert Handle Assembly (1) into the hole of Head Assembly (5).



PARTS LIST



Part No.	Description	Qty
1	Handle Assembly	1
2	Lock Pin Assembly	1
3	Bolt M12x65	4
4	Big Washer M12	4
5	Mounting Arm	4
6	Head Assembly	1
7	Spring Washer M12	9
8	Nut M12	8
9	Main Post	1
10	Rear Support Axle	1
11	Wheel	2
12	Washer M14	2
13	Cotter Pin Ø2x22	2
14	Bolt M12x80	1
15	Crossbeam	1
16	Bolt M12x75	2
17	Front Leg	1
18	Castor Wheel	2
19	Washer M12	4